

OptiFlame[®]

by Dimplex

ELECTRIC FIREPLACES



"We have installed at least 2000 of your fireplaces and the results have been nothing short of amazing. The market acceptance of the Dimplex electric fireplace has never been questioned since we first used it in our projects."

Pinnacle International Development Inc.



"We have used Dimplex products in luxury single detached houses, waterfront townhouses and hi-rise condominiums. Dimplex electric fireplaces have had a positive impact on our construction quality and customer satisfaction."

Onni Group of Companies



"With the added design advantages of no venting and no unsightly drywall drops, the construction division prefers us to spec your electric for ease of installation and cost benefits."

Adera Development Corporation

Electric Fireplaces

for the Professional Builder

Built-in Firebox Features

- Patented electric flame technology.
- Realistic flame effect, log set and ember bed.
- Deluxe models (DXP) feature new pulsating resin logs and refractory (brick-look) interior.
- Built-in Purifire air treatment system continuously filters allergens and other particulates from room air.
- Dual 120 or 240/208 voltage compatible.
- Operates with flame only, flame/Purifire, and flame/Purifire/heat.*
- Easily accessible manual controls – heater on/off and flame on/off.
- Field-installable remote control kit and wall-mount thermostat control options available.
- Optional glass doors install easily with minimal tools.

* Capable of independent control of Purifire.

33" and 39" Built-in Purifire® Fireboxes – Standard



Above: BF39STP Purifire firebox with stainless steel trim kit* (BF4TRIM39SS) and bi-fold look glass door kit (BFD00R39BLKSM).

Firebox Dimensions:
38 3/4" W x 32 3/4" H x 15 5/16" D

Right: BF33STP Purifire firebox with black trim kit* (BF4TRIM33) and swing doors (BFS00R33BLK).

Firebox Dimensions:
33" W x 28 13/16" H x 14 5/16" D



45" Built-in Purifire Firebox – Deluxe



BF45DXP Purifire firebox with bi-fold look glass door kit (BFD00R45BLKSM) and black trim kit* (BF4TRIM45). Firebox Dimensions: 45" W x 32 13/16" H x 15 5/16" D

*Shown in 3-piece configuration.

33" and 39" Built-in Purifire Fireboxes – Deluxe



Above: BF39DXP Purifire firebox with stainless steel trim kit (BF4TRIM39SS) and bi-fold look glass door kit (BFD00R39BLKSM).

Firebox Dimensions:
38 3/4" W x 32 3/4" H x 15 5/16" D

Right: BF33DXP Purifire firebox with black trim kit* (BF4TRIM33) and tamerproof glass door (BFGLOSS33BLK).

Firebox Dimensions:
33" W x 28 13/16" H x 14 5/16" D



39" 2-Sided Firebox

- Built-in 2-sided design is perfect for counters or as a room divider.
- Patented electric flame technology.
- Realistic flame effect, log set and ember bed.
- Operates with flame only or with flame and heat.
- Easily accessible manual controls.
- 3-stage remote control included (flame, flame with half-heat and flame with full-heat).



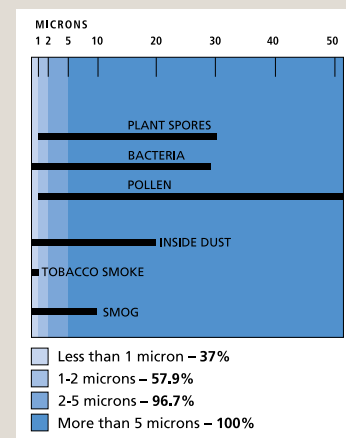
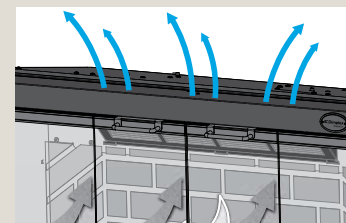
BF392SD firebox with bi-fold look glass door kit (BFDOOR39BLKSM) with black trim kit* (BF4TRIM39). Firebox Dimensions: 39" W x 32 13/16" H x 22 1/8" D *Shown in 3-piece configuration.

purifire® Air treatment system

The world's first
integral air filtering
electric fireplace



- Uses a standard size 10" x 20" high-efficiency, washable filter.
- Air filter operates with or without heater to provide continuous, quiet cleaning.
- Exceeds MERV 10 (Minimum Efficiency Reporting Value) rating – filters allergens as small as 1 micron.
- Circulates and filters the air of an average room four times per hour. (Based on 12' x 14' room.)



Built-in Fireplaces Specifications - Purifire

33" and 39" Purifire Fireboxes - Standard

		Volts	Watts	BTU	Total Amps	Weight (lb/kg)
BF33STP	33" firebox with Purifire. Operates with flame only, flame/Purifire, and flame/Purifire/full-heat*. Built-in manual switches. NOTE: Remote and thermostat sold <i>separately</i> .	120 240 / 208	1440 2700 / 2100	5000 9200 / 7200	12.0 11.3 / 10.1	75 / 34
BF39STP	39" firebox with Purifire. Operates with flame only, flame/Purifire, and flame/Purifire/full-heat*. Built-in manual switches. NOTE: Remote and thermostat sold <i>separately</i> .	120 240 / 208	1440 2700 / 2100	5000 9200 / 7200	12.0 11.3 / 10.1	87 / 39.5

33" and 39" Purifire Fireboxes - Deluxe

		Volts	Watts	BTU	Total Amps	Weight (lb/kg)
BF33DXP	Same features and functions as above (BF33STP), with the addition of pulsating resin logs and refractory (brick-look) interior. NOTE: Remote and thermostat sold <i>separately</i> .	120 240 / 208	1440 2700 / 2100	5000 9200 / 7200	12.0 11.3 / 10.1	75 / 34
BF39DXP	Same features and functions as above (BF39STP), with the addition of pulsating resin logs and refractory (brick-look) interior. NOTE: Remote and thermostat sold <i>separately</i> .	120 240 / 208	1440 2700 / 2100	5000 9200 / 7200	12.0 11.3 / 10.1	87 / 39.5

45" Purifire Firebox - Deluxe

		Volts	Watts	BTU	Total Amps	Weight (lb/kg)
BF45DXP	45" firebox with Purifire. Operates with flame only, flame/Purifire, and flame/Purifire/full heat*. Built-in manual switches. Also features pulsating resin logs and refractory (brick-look) interior. NOTE: Remote and thermostat sold <i>separately</i> .	120 240 / 208	1440 2700 / 2100	5000 9200 / 7200	12.0 11.3 / 10.1	100 / 45.3

*Unit may also be wired with separate wall switches (not included) for independent flame, and optional wall thermostat to control heater.

2-Sided Fireplace Specifications

2-sided 39" Firebox

		Volts	Watts	BTU	Total Amps	Weight (lb/kg)
BF392SD	2-sided 39" firebox. 1500W @ 120V ONLY. 3-stage remote control included (flame only, half-heat, full-heat). Built-in manual override.	120	1440	5000	12.0	119 / 54

Control Options

Model	Description				Weight (lb/kg)
BFRC-KIT	3-stage remote control kit, which includes control module and hand held transmitter, field installable.				0.5 / 0.23
TS521W	White – wall-mount thermostat, field installable.				1 / 0.5
BFPLUGE ⁽¹⁾	Plug kit includes 7' cord (approx.) and plug, field installable for use at 120V setting only. (Wall thermostat option not available with plug kit.)				0.5 / 0.23

¹ Building codes vary by location. Prior to plug kit attachment – ensure product meets local code approval. National electric codes state that the plug be accessible, if required.

Fireplace Cabinets for 33" and 39" Fireboxes



White cabinet (BC39W2) with BF39DXP firebox and black trim kit* (BF4TRIM39); Top Inset: Oak cabinet (BC33601) with BF33STP firebox and black trim kit* (BF4TRIM33) and swing doors (BFSD00R33BLK); Bottom Inset: White corner cabinet (BCC336W5) with BF33DXP firebox and black trim kit* (BF4TRIM33) and swing doors (BFSD00R33BLK). *Shown in 3-piece configuration.

- Traditional cabinet design made with quality workmanship complements any décor.
- Click'n lock design ensures fast and easy "no-tools" assembly.
- Cabinet comes complete with elegant full hearth.
- Available in flat wall and corner designs.

Model	Description	Dimensions (WxHxD)	Weight (lb/kg)
33" Flat Wall			
BC333601	Oak Finish	57 1/2" x 43 1/2" x 20"	130 / 58.5
BC3336W2	White Finish	57 1/2" x 43 1/2" x 20"	130 / 58.5
33" Corner			
BCC333604	Oak Finish	58" x 43 1/2" x 30 1/2"	120 / 54
BCC3336W5	White Finish	58" x 43 1/2" x 30 1/2"	120 / 54
39" Flat Wall			
BC3901	Oak Finish	62 3/4" x 47 3/8" x 21 1/8"	146 / 65.7
BC39W2	White Finish	62 3/4" x 47 3/8" x 21 1/8"	146 / 65.7

Flush Mount Mantels for 33" and 39" Fireboxes



MDF pre-primed mantel with black granite-look inlay (BM39-BG) with BF39DXP firebox; Top Inset: Stone-look mantel (BM33-STN) with BF33STP firebox; Bottom Inset: Stone-look picture frame surround (BS39-STN) with BF39DXP firebox.

- Requires only minutes to assemble and install.
- MDF pre-primed mantel offers cream marble-look or black granite-look surround.
- Stone-look mantel with matching surround offers an attractive design in a durable finish.
- Picture frame surround can be placed at floor level or higher up on the wall.

Model	Description	Dimensions (WxHxD)	Weight (lb/kg)
33" Flush Mount Mantels			
BM33-CM	With cream marble-look inlay	62 1/2" x 50 1/4" x 7 3/8"	80 / 36
BM33-BG	With black granite-look inlay	62 1/2" x 50 1/4" x 7 3/8"	80 / 36
BM33-STN	Stone-look mantel	60 13/16" x 49 13/16" x 9 13/16"	118 / 53.6
39" Flush Mount Mantels			
BM39-CM	With cream marble-look inlay	68 1/2" x 54 1/2" x 7 3/8"	90 / 40.5
BM39-BG	With black granite-look inlay	68 1/2" x 54 1/2" x 7 3/8"	90 / 40.5
BM39-STN	Stone-look mantel	66 3/4" x 55 5/8" x 9 3/4"	128 / 58.2
Stone-look Picture Frame Surround			
BS33-STN	One-piece stone-look surround	40 5/8" x 32" x 3"	50 / 22.7
BS39-STN	One-piece stone-look surround	45 7/8" x 36 7/8" x 3"	55 / 25

Decorative Trims and Door Kits for 33", 39" and 45" Fireboxes

Model	Description	Weight (lb/kg)
-------	-------------	----------------

4-Piece Decorative Trim Kits

BF4TRIM33	33" black - 35 7/8" W x 29 5/8" H x 7/16" D	5 / 2.3
BF4TRIM39	39" black - 42 1/4" W x 33 11/16" H x 7/16" D	6 / 2.7
BF4TRIM45	45" black - 48 1/4" W x 33 11/16" H x 7/16" D	7 / 3.2
BF4TRIM33SS	33" stainless steel - 35 7/8" W x 29 5/8" H x 7/16" D	5 / 2.3
BF4TRIM39SS	39" stainless steel - 42 1/4" W x 33 11/16" H x 7/16" D	6 / 2.7
BF4TRIM45SS	45" stainless steel - 48 1/4" W x 33 11/16" H x 7/16" D	7 / 3.2

Glass Door Kits

BFDOOR33BLKSM	33" single pane, bi-fold look glass door	18 / 8.1
BFDOOR39BLKSM	39" single pane, bi-fold look glass door	18 / 8.1
BFDOOR45BLKSM	45" single pane, bi-fold look glass door	18 / 8.1
BFGLOSS33BLK	33" single pane, tamperproof glass door	12 / 5.4
BFGLOSS39BLK	39" single pane, tamperproof glass door	12 / 5.4
BFGLOSS45BLK	45" single pane, tamperproof glass door	12 / 5.4

Swing Door Kits

BFSDOOR33BLK	33" glass swing doors with black accents	17 / 7.7
BFSDOOR39BLK	39" glass swing doors with black accents	17 / 7.7

Black 4-piece Trim



Stainless Steel 4-piece Trim



Glass Bi-fold Look Door Kit



Swing Door Kit



- Trim kit can be used as a full 4-side surround or without bottom piece when installed at floor level.
 - Glass door kit features bi-fold look.
 - Tamperproof, single pane glass door kit available (not shown).
 - Swing door kit features double doors for an authentic fireplace look and feel.
- NOTE: Swing door kit is not available on BF45 model.

26" Plug-in Self-Trimming Firebox

- Patented electric flame technology.
- Realistic flame effect, inner glow logs and pulsating ember bed.
- 120 volt plug-in firebox with 1,430 W (4,811 BTU) thermostat controlled fan-forced heater.
- Operates with flame only or flame and heat.
- Adjustable interior light and flame speed control.
- Includes remote control.
- Firebox dimensions: 27 3/8" W x 23 1/2" H x 8 3/4" D



Left: 26" plug-in self-trimming firebox (NBDF2608).
Right: 26" plug-in self-trimming firebox with refractory brick-look interior (DF2608).

Model	Description	Volts	Watts	BTU	Total Amps	Weight (lb/kg)
NBDF2608	Standard 26" plug-in firebox, includes built-in thermostat, flame on/off control and separate controls for flame speed, interior brightness and heater, on/off remote control.	120	1430	4811	12.5	48 / 21.7
DF2608	As above, deluxe 26" plug-in firebox with refractory brick-look interior.	120	1430	4811	12.5	48 / 21.7

30" Plug-in Firebox and Surround Trims

- Patented electric flame technology.
- Realistic flame effect, log set and ember bed.
- 120 volt plug-in firebox with 1,490 W (5,016 BTU) thermostat-controlled heater.
- Operates with flame only or with flame and heat.
- Adjustable interior light and flame speed control.
- Includes remote control.
- Firebox dimensions: 30 1/8" W x 25 1/2" H x 10 1/2" D



DF3003 plug-in 30" firebox in oak cabinet (SOP-272-0) with 1" slimline satin nickel trim (SOT-1-SN).

30" Plug-in Firebox Trim Options*

Model	Description	Dimensions (WxHxD)	Weight (lb/kg)
1" Slimline Trims			
SOT-1-BLK	Black	32 1/8" x 26 13/16" x 1 5/16"	8 / 3.6
SOT-1-SN	Satin Nickel	32 1/8" x 26 13/16" x 1 5/16"	8 / 3.6
* Trims only available when firebox ordered separately.			
3" Surround Trims			
ET30-3-BLK	Black	35 13/16" x 28 1/2" x 1 5/16"	10 / 4.5
ET30-3-SS	Stainless Steel	35 13/16" x 28 1/2" x 1 5/16"	10 / 4.5

1" Slimline Trims

3" Surround Trims



Model	Description	Volts	Watts	BTU	Total Amps	Weight (lb/kg)
DF3003	30" deluxe plug-in firebox with patented realistic flame effect, refractory interior (brick-look), hand-finished logs, flame on/off control, adjustable interior light, adjustable flame speed control, heat on/off control and thermostat controlled fan-forced heater.	120	1490	5016	12.5	59 / 26.8

33" Plug-in/Direct-wire Self-trimming Firebox

- Patented electric flame technology.
- Realistic flame effect, inner glow logs and pulsating ember bed.
- Includes 120 volt factory installed plug kit; remove wire connections to direct wire.
- Operates with flame only or flame and heat.
- 980 W (3,276 BTU) thermostat-controlled heater.
- Includes multi-function digital display remote control.
- Firebox dimensions: 33" W x 23 3/8" H x 9 1/8" D



DF3033ST plug-in/direct wire firebox.

Model	Description	Volts	Watts	BTU	Total Amps	Weight (lb/kg)
DF3033ST	Plug-in/direct wire firebox with patented realistic flame effect, hand-finished logs, flame on/off control, adjustable interior light, and adjustable flame speed control, heat on/off control, thermostat controlled fan-forced heater and multi-function digital display remote control.	120	980	3276	8.3	60.4 / 27.4

26" Plug-in Fireplace Packages



Oak corner fireplace package (BMP-252C-0) with 26" self-trimming firebox (DF2608). Also available in white (inset shown).



Kenton fireplace package (BMP-130-W) with 26" self-trimming firebox (DF2608). Also available in oak (inset shown).

Model	Description	Dimensions (WxHxD)	Weight (lb/kg)
Fireplace Packages			
BMP-130-W	Kenton White Cabinet, 26" Self-trimming Firebox	49 3/8" x 43 3/8" x 17 13/16"	170 / 77
BMP-130-O	Kenton Oak Cabinet, 26" Self-trimming Firebox	49 3/8" x 43 3/8" x 17 13/16"	166 / 75.3
Corner Fireplace Packages			
BMP-252C-W	White Corner Cabinet, 26" Self-trimming Firebox	56 5/8" x 43 5/16" x 28 5/16"	172 / 78
BMP-252C-O	Oak Corner Cabinet, 26" Self-trimming Firebox	56 5/8" x 43 5/16" x 28 5/16"	168 / 76.2

30" Plug-in Fireplace Packages



Sussex distressed medium oak fireplace package (BMP-272-0) with 30" firebox (DF3003) and 1" black trim.



Sussex white fireplace package (BMP-272-W) with 30" firebox and 1" black trim.



Stratford distressed oak corner fireplace package (BMP-261C-0) with 30" firebox and 1" black trim.

Model	Description	Dimensions (WxHxD)	Weight (lb/kg)
Fireplace Packages			
BMP-272-W	Sussex White Cabinet, 30" Firebox, 1" black trim	54 7/8" x 48 1/16" x 18 1/16"	197 / 89.4
BMP-272-O	Sussex Medium Oak Cabinet, 30" Firebox, 1" black trim	54 7/8" x 48 1/16" x 18 1/16"	190 / 86.2
BMP-272-C	Sussex Cherry Cabinet, 30" Firebox, 1" black trim	54 7/8" x 48 1/16" x 18 1/16"	190 / 86.2
BMP-261C-O	Stratford Distressed Oak Corner Cabinet, 30" Firebox, 1" black trim	54 3/4" x 43" x 18"	150 / 67.5

Wall-Mount Fireplaces

With eye-catching designs and quiet, on-demand heat these electric wall-mount fireplaces offer comfort and style. The elegant designs complement any décor. Patented flame technology and space-saving design provides the ambiance of a real fire in any room.

- Ideal for condominiums, lofts, apartments, or single homes.
- Recessed or surface-mounted.
- Just plug it in: unit plugs into a standard 120V outlet.
- Thermostat controlled fan-forced heater.
- Remote control included.



Sahara wall-mount fireplace (EWF-SS).



Convex wall-mount fireplace (VCX1525).



Wall-mount fireplace with beveled trim profile (V1525BT-BLK).

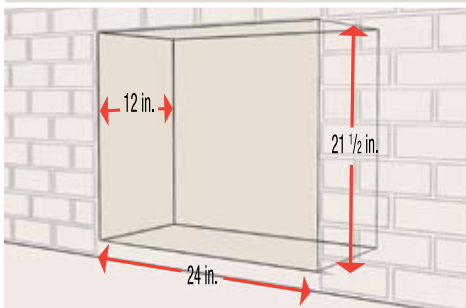


Wall-mount fireplace with rectangular trim profile (V1525RT-GM).

Model	Description	Dimensions (W x H x D)	Volts	Watts	BTU	Total Amps	Weight (lb/kg)
EWF-SS	Matte silver finish with brushed aluminum trim.	39 1/2" x 27 5/8" x 6 7/8"	120	1400	4779	11.6	68 / 30.8
VCX1525	Convex profile, black.	22 3/4" x 34 1/2" x 9"	120	1340	4574	11.2	74 / 33.5
V1525BT-BLK	Beveled trim profile, black.	24" x 34 1/2" x 7 1/2"	120	1300	4437	10.8	47 / 21
V1525BT-GM	Beveled trim profile, gun metal grey.	24" x 34 1/2" x 7 1/2"	120	1300	4437	10.8	47 / 21
V1525RT-BLK	Rectangular trim profile, black.	23 3/16" x 35 1/4" x 8"	120	1300	4437	10.8	51 / 23
V1525RT-GM	Rectangular trim profile, gun metal grey.	23 3/16" x 35 1/4" x 8"	120	1300	4437	10.8	51 / 23

DFI2309 Plug-in Fireplace Insert

- Realistic flame effect, log set and ember bed.
- Installs quickly and easily – just plug it in.
- Built-in fan-forced heater provides on-demand heat.
- Remote control included.
- Firebox dimensions: 23 1/4" W x 19 5/8" H x 10 13/16" D



Minimum Opening Dimensions

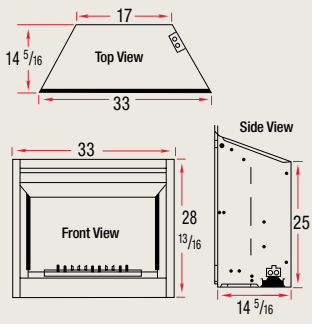
Expandable Surround Trim Kit (DFI23TRIMX)



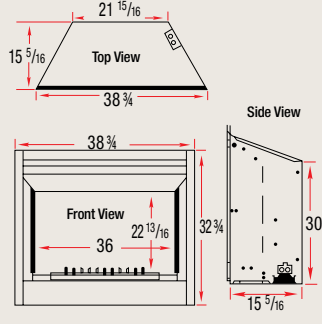
Model	Description	Volts	Watts	BTU	Total Amps	Weight (lb/kg)
DFI2309	23" fireplace insert with front mount switches (flame only, half-heat, full-heat), includes on/off remote control	120	1375	4692	11.5	33 / 15
DFI23TRIMX	Expandable surround trim kit for fireplace insert includes mesh screen.					

Dimensions (inches)

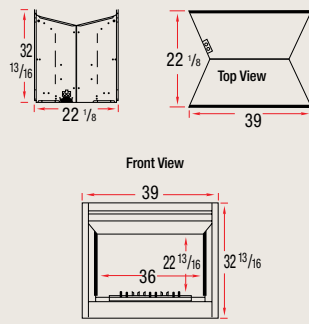
33" Built-in Firebox (BF33STP/DXP)



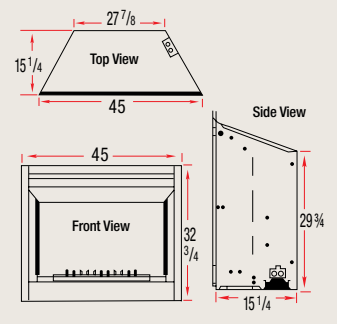
39" Built-in Firebox (BF39STP/DXP)



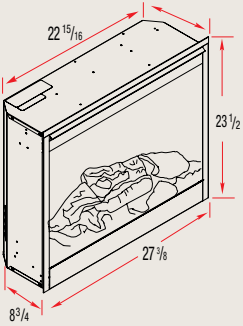
39" 2-Sided Built-in Firebox (BF392SD)



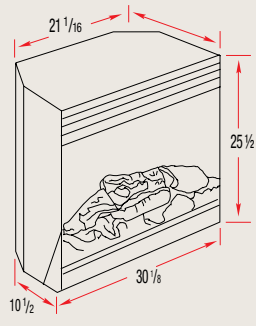
45" Built-in Firebox (BF45DXP)



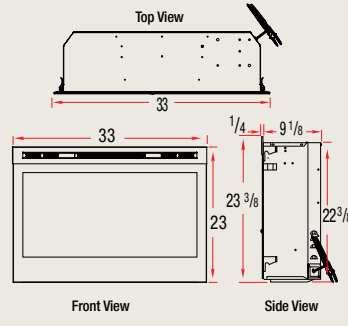
26" Plug-in Firebox (DF2608/NBDF2608)



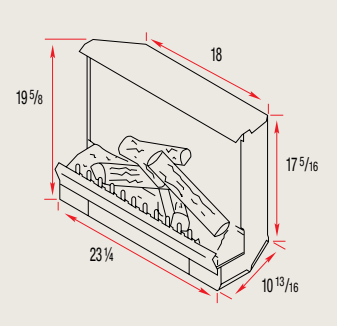
30" Plug-in Firebox (DF3003)



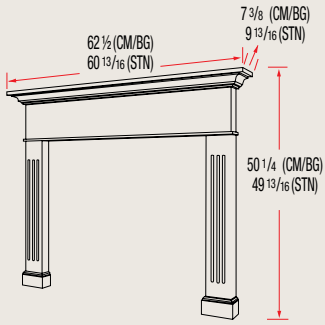
33" Plug-in Firebox (DF3033ST)



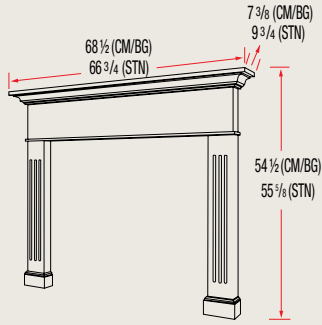
Plug-in Fireplace Insert (DFI2309)



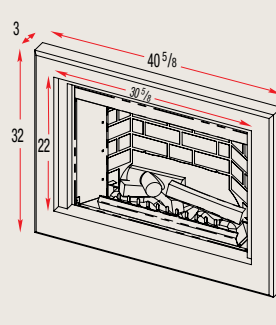
33" Flush Mount Mantels (BM33-CM/BG/STN)



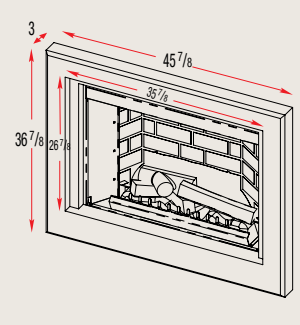
39" Flush Mount Mantels (BM39-CM/BG/STN)



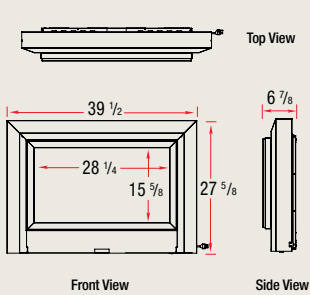
33" Picture Frame Surround (BS33-STN)



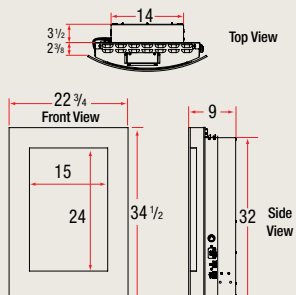
39" Picture Frame Surround (BS39-STN)



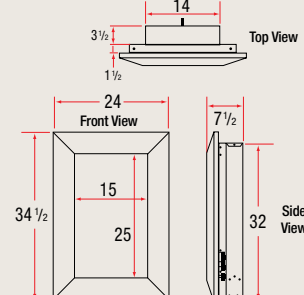
Sahara Wall-Mount Fireplace (EWF-SS)



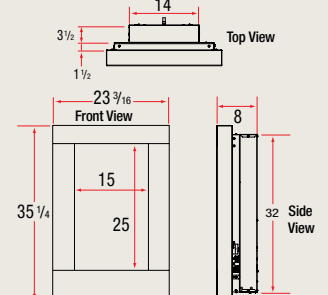
Convex Wall-Mount Fireplace (VCX1525)



Beveled Profile Wall-Mount Fireplace (V1525BT-BLK/GM)



Rectangular Profile Wall-Mount Fireplace (V1525RT-BLK/GM)



Dimplex North America Limited
 1367 Industrial Road Cambridge, ON Canada N1R 7G8

Phone: 1-800-668-6663
 Fax: 1-800-668-6665

www.optiflame.com

Dimplex reserves the right to change specifications without notice.

© 2009 Dimplex North America Limited



Printed in Canada

LI-577 01/09

Protected by one or more of the following patents: U.S. Patents: 6,050,011, 6,269,567, 6,190,019, 6,564,485, 5,642,580, 6,615,519, 6,363,636, 6,047,489, 6,718,665, 6,350,498, 6,162,047, 6,385,881, 7,134,229, D514,677, 7,162,820, 7,194,830. Canadian Patents: 2,175,442, 2,310,367, 2,310,073, 2,204,106, 2,310,362, 2,310,414, 2,262,338, 2,321,716, 2,299,927, 105175. Other patents pending. Specifications, finishes and dimensions are subject to change and should be taken as a guide only.